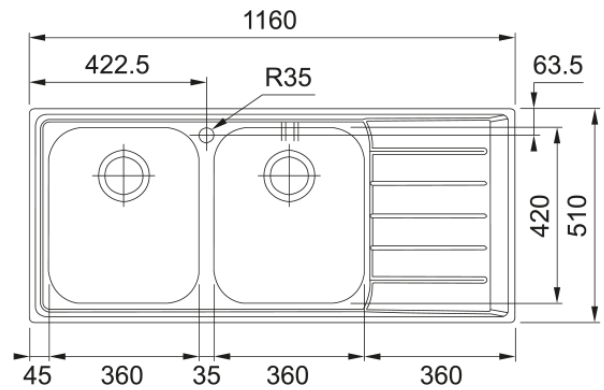


Neptune NEX621 RHD | 101.0040.717



Neptune NEX621 Right Hand Drainer, Inset, Stainless Steel. 90mm Waste. 25 Year Warranty.

Product Information

Sink type	Sink (w/ drainer)
Type of material	Stainless steel
Number of bowls	2
Color	Steel
Finish	Brushed

Dimensions

External size: right to left	1160.0
External size: front to back	510.0
Bowl 1 size: right to left	360.0
Bowl 1 size: front to back	420.0
Bowl 1: depth	190.0
Bowl 2 size: right to left	360.0
Bowl 2 size: front to back	420.0
Bowl 2: depth	190.0
Cutout inset: right to left	1140.0
Cutout inset: front to back	490.0

Installation

Minimum cabinet size	80 cm
----------------------	-------

Product specifications

Installation type	Inset
Waste outlet	3 1/2"
Position of drainer	Right hand side drainer
Active Twist Compatibility	Yes

Product identification

Product brand	FRANKE
Product family	Maris
Model range	Neptune

Approval logo	CE
Properties	
Drainers number	1
Product reversibility	no
Tap ledge	Yes
Waste kit included	yes
Waste kit type	manual
Siphon included	no
Number of tap holes	1
Soap dispenser hole	no